

BONDSET 3M VHB  
4941 ACRYLIC  
CLOSED CELL FOAM.  
DYNAMIC SHEAR  
STRENGTH 80 PSI x 15.5 in<sup>2</sup>  
= 1240 lbs. BOND STENGTH

SPECIFICATIONS:  
24 VOLT BRUSHLESS  
DC MOTOR.  
REVERSE CURRENT  
PROTECTED.  
4.8 AMPS MAX AT  
50 IN OZ TORQUE.  
0.3 AMP IDLE AT  
2100 RPM (NO LOAD).  
OVERLOAD PROTECTION  
TRIGGERED BY STALL.  
RESET BY SWITCH ON  
BULKHEAD ASSEMBLY  
OR OPTO-SWITCH  
TO "OFF" THEN "ON"

GREEN LIGHT  
INDICATES  
24VDC AT  
MOTOR  
AND/OR  
DISC ROTATING.

CONSTANT  
RED LIGHT  
INDICATES  
HEAVY LOAD  
(900 RPM  
OR LESS)  
OR STALL

1.752 (44.5mm)  
TOTAL MOUNTED HEIGHT

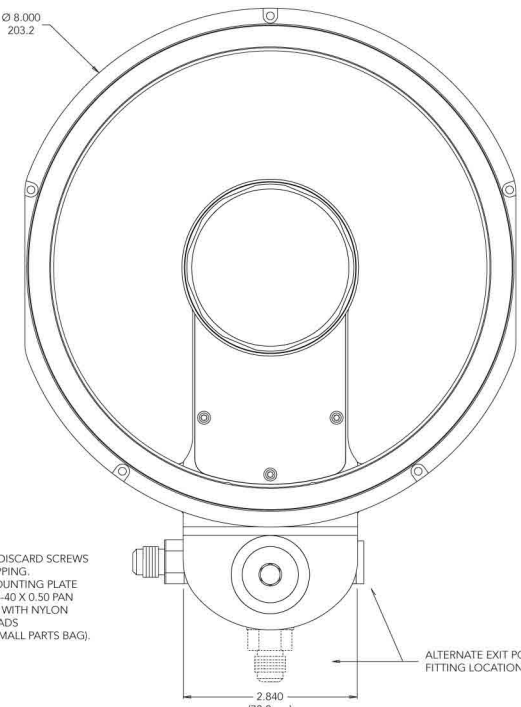
0.200  
5.1mm

1.552  
39.4mm  
1.082  
27.5mm

10.125  
257.2mm

MOUNTING PLATE

Ø 8.000  
203.2



REMOVE AND DISCARD SCREWS  
USED FOR SHIPPING.  
FASTEN TO MOUNTING PLATE  
WITH 6 EACH 4-40 X 0.50 PAN  
HEAD SCREWS WITH NYLON  
COATED THREADS  
(SUPPLIED IN SMALL PARTS BAG).

ALTERNATE EXIT PORT  
FITTING LOCATIONS

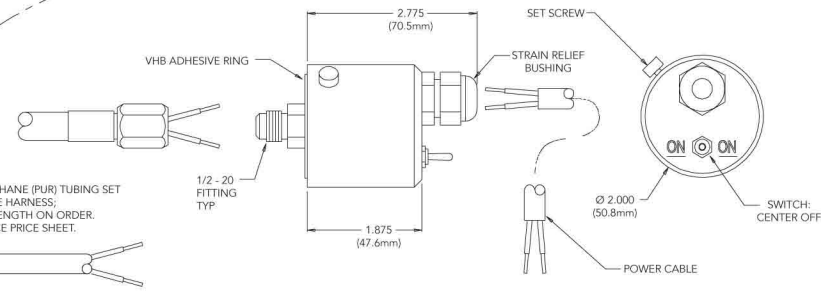
WORK PIECE SIDE  
(WET SIDE)

- MATERIAL PROVIDED:
1. VISIPOINT BASE ASSEMBLY
  2. MOUNTING PLATE
  3. TERMINAL BOX
  4. TOOL KIT  
INCL. HUB CAP WRNECH & SMALL PARTS BAG.

OPERATORS SIDE  
(DRY SIDE)

FLEX (STEEL BRAID OVER PTFE)  
TUBING SET WITH WIRE HARNESS;  
SPECIFY LENGTH ON ORDER.  
REFERENCE PRICE SHEET.

TERMINAL BOX  
(BULKHEAD ASSEMBLY)



POLYURETHANE (PUR) TUBING SET  
WITH WIRE HARNESS;  
SPECIFY LENGTH ON ORDER.  
REFERENCE PRICE SHEET.

VHB ADHESIVE RING

1/2 - 20  
FITTING  
TYP

SET SCREW

STRAIN RELIEF  
BUSHING

Ø 2.000  
(50.8mm)

POWER CABLE

OPERATION & MAINTENANCE:

1. VISIPOINT SHOULD BE WIRED SO THAT IT IS ON WHEN MACHINE IS ON.
2. BE SURE THAT DISC IS ROTATING BEFORE COOLANT IS TURNED ON.
3. THE VISIPOINT WORKS BEST WITH WATER SOLUBLE COOLANTS.
4. CLEAN WITH 50% WATER/50% ISOPROPYL ALCOHOL SOLUTION.
5. STALL CONDITION: CHECK FREE ROTATION OF DISC. REMOVE CHIPS BEFORE RE-SETTING UNIT. REMOVE DISC TO REACHED JAMMED CHIPS IF NECESSARY.

DET NOT SCALE DRAWING	PROJECT: _____	TOOLING 2000
PROJ: NA	DRAW: _____	TITLE: _____
CHECK: NA	DESIGN: _____	VP180.B5 SYSTEM
GENERAL TOLERANCES: NA	ENGR: _____	1808000
LINEAR/ANGULAR: NA	DWG: _____	SCALE: 1:1
ANGULAR: NA	DWG: _____	SHEET 1 OF 1

Model: **VP** . **180** . **B5** . **H N F** . **V** . **X** . **P**

Electric . 8" / 20-cm . 5 Amp 24 VDC . Flex OR Push OR (None) . Mounting Plate w/VHB Adhesive . OEM version w/o Terminal Box . 10.0-m Power Cable (Legacy Config.)

Contact T2K for  
other configuration  
options:  
[www.t2k.net](http://www.t2k.net)